



SPECIFICS OF INSTALLATION SGS TOUR

Installation is done according to the standard SGS installation manual, except for the differences listed in this document.

1. LIMIT DIMENSIONS

		minimum [mm]	maximum [mm]
SGS TOUR 60	opening width	2000	6550
	opening height	2000	5000
SGS TOUR 120	opening width	2000	5800
	opening height	2000	4650

2. OPTIONAL ACCESSORIES

Only the following accessories can be selected for SGS TOUR:

control: - el. brake

electrical accessories:

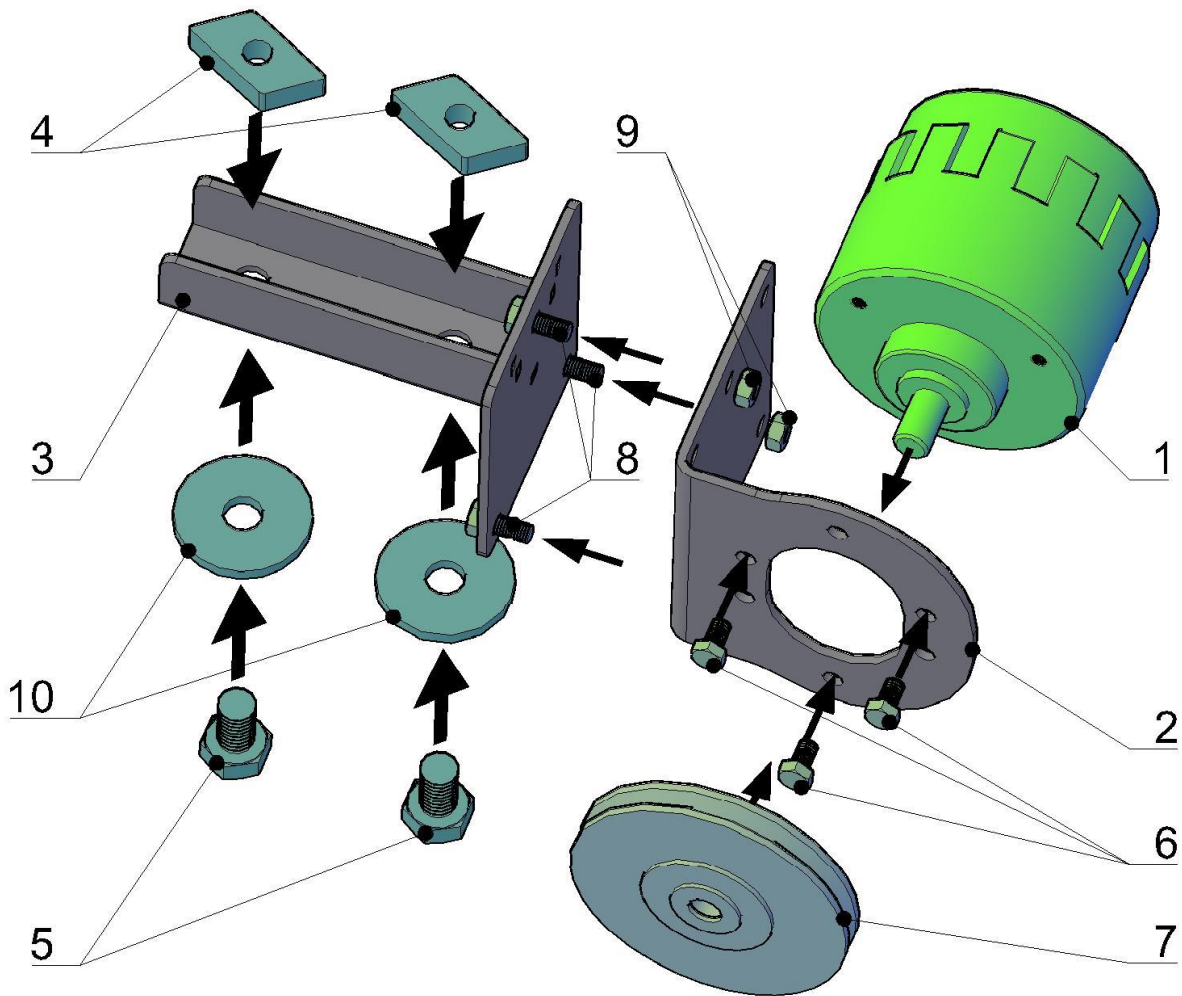
- Slidetronic II
- Blocktronic
- Slidetronic IP 65
- module + ACCU
- smoke detector
- heat detector
- COMBI detector

mechanical accessories:

- covering of rail
- gate lock CISA

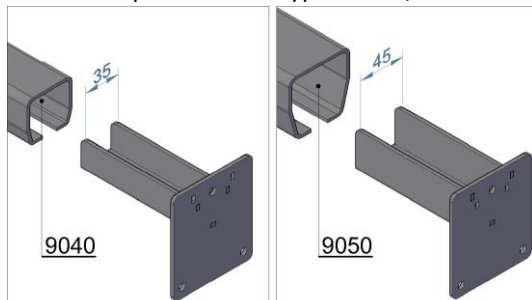


3. INSTALLATION OF BRAKE

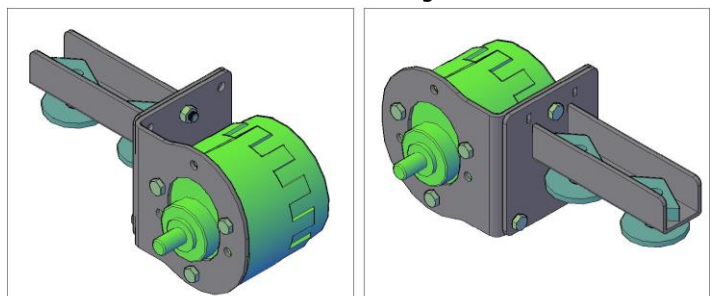


- | | | | |
|-----|--------------------------------|------|--------------------|
| 1 - | brake | 6 - | 3x bolt 6HR M6x16 |
| 2 - | brake holder | 7 - | brake pulley |
| 3 - | end piece for rail (9040/9050) | 8 - | 3x bolt 6HR M6x16 |
| 4 - | 2x threaded stone M12 | 9 - | 3x nut M6 |
| 5 - | 2x bolt 6HR M12x20 | 10 - | 2x large washer 12 |

end pieces for rail types 9040 / 9050

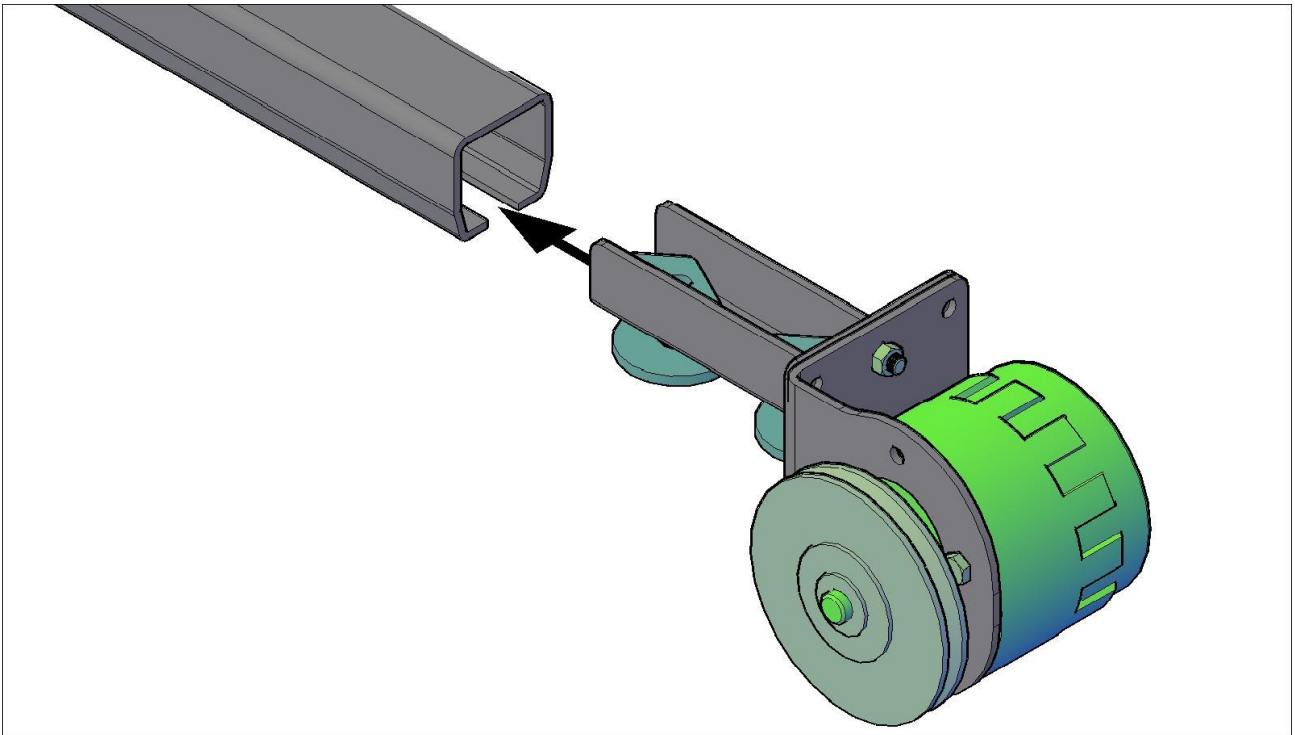


installation of left and right variant

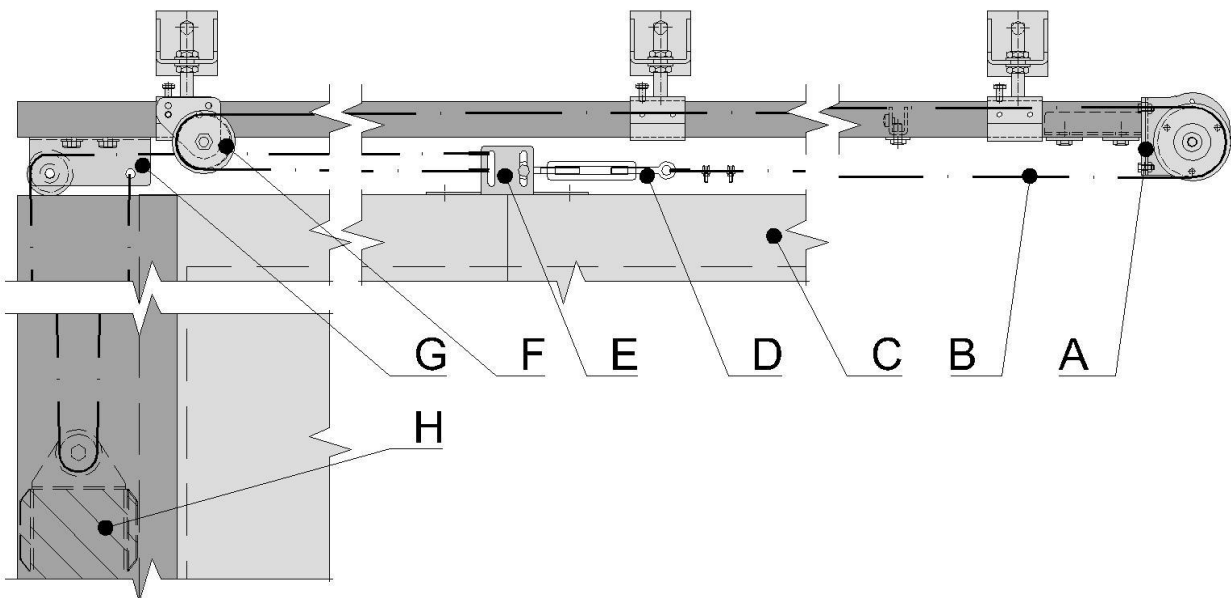




installation of bracket to the rail



scheme of cable

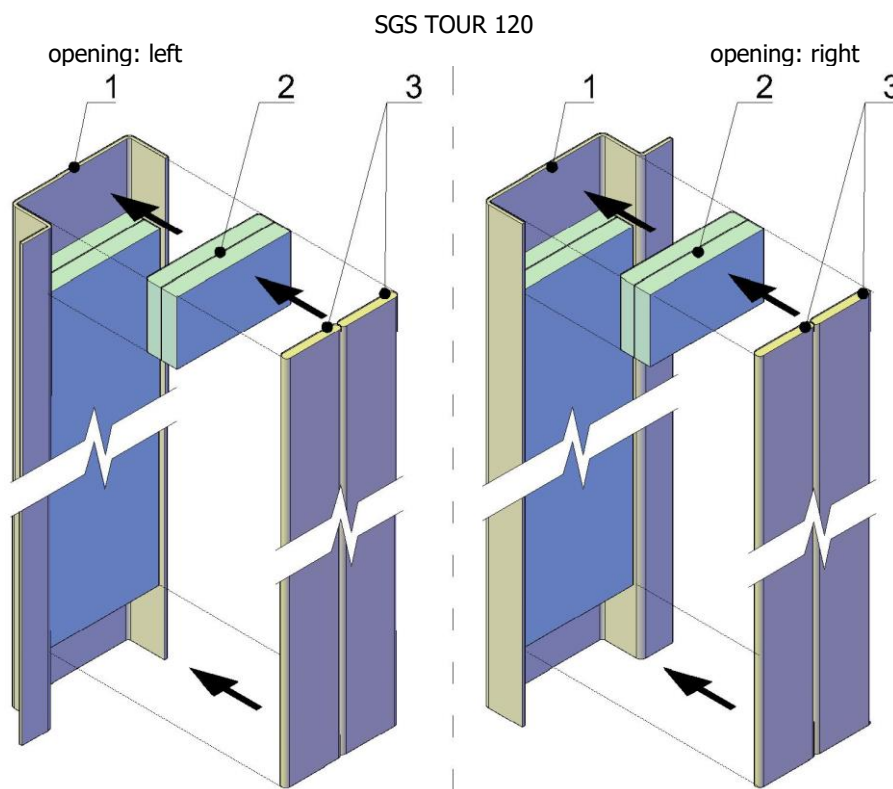
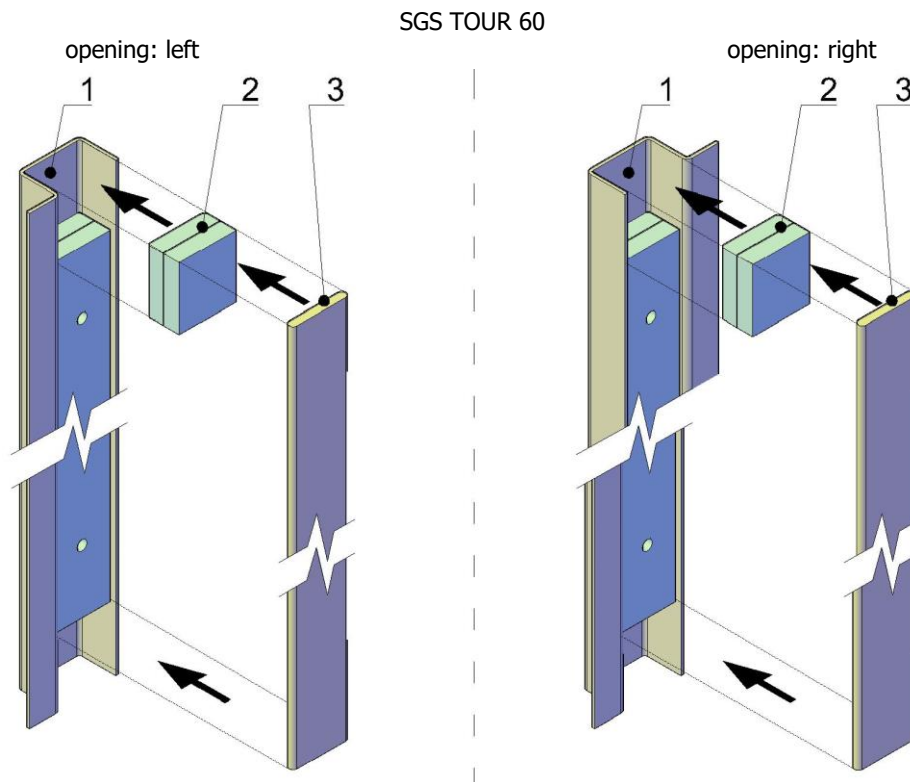


- A - assembly of bracket with brake
- B - steel cable
- C - gate leaf of sliding gate
- D - tensioner
- E - carrier, mounted on the leaf
- F - reversible pulley, placed on rail holder
- G - counterweight bracket
- H - counterweight



4. END PIECE OF VERTICAL LATHING

After mounting vertical wall lathing, it is necessary to stick to the top cut-out piece of plasterboard, which is part of delivery.



- 1 - vertical wall lathing
- 2 - piece of plasterboard – stick to the top cut-out
- 3 - intumescent tape – to stick on plasterboard