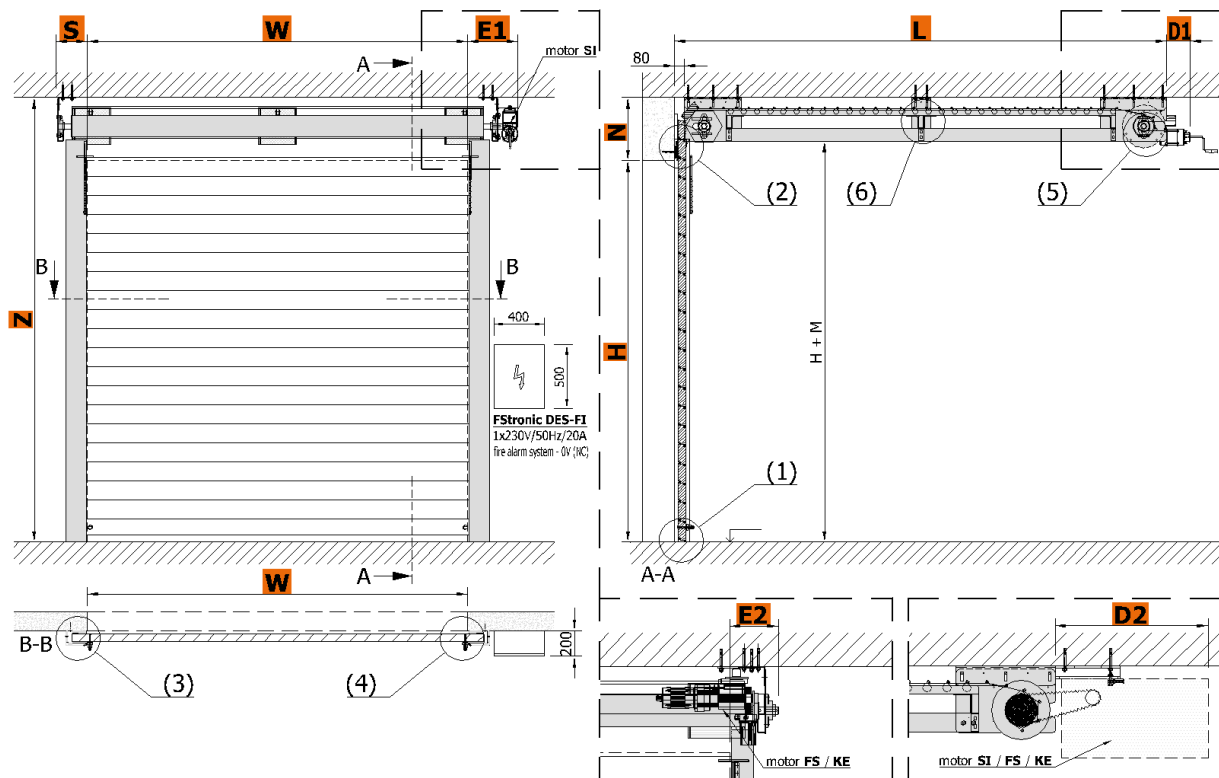




## TECHNICAL DATA SHEET ROLLING FIRE SHUTTERS RGS-120-H EI 120

Technical data sheets serve to determine the basic space requirements of rolling fire shutters. Other dimensions or atypical demands can be solved upon request.

### RGS-120-H EI 120

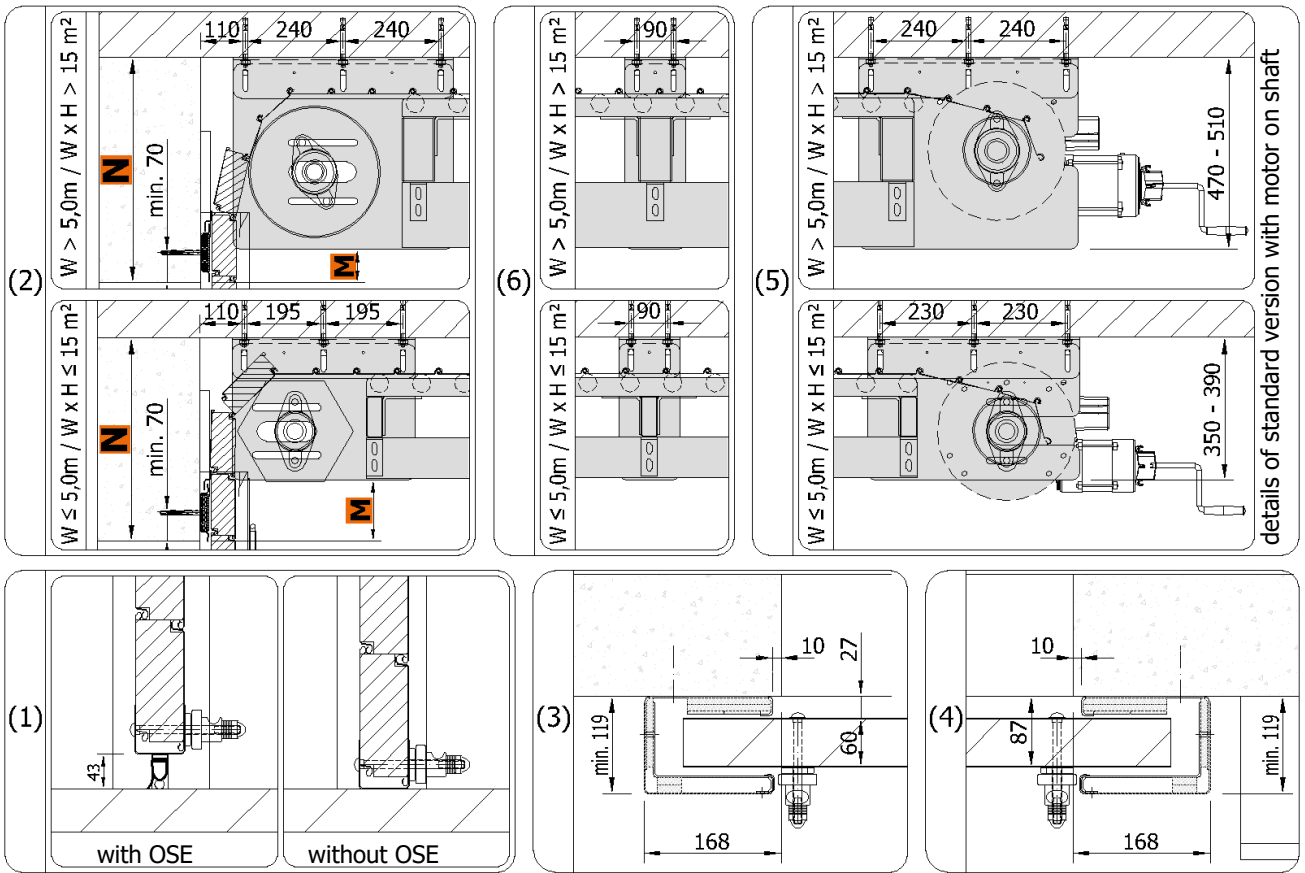


variant with chain transmission

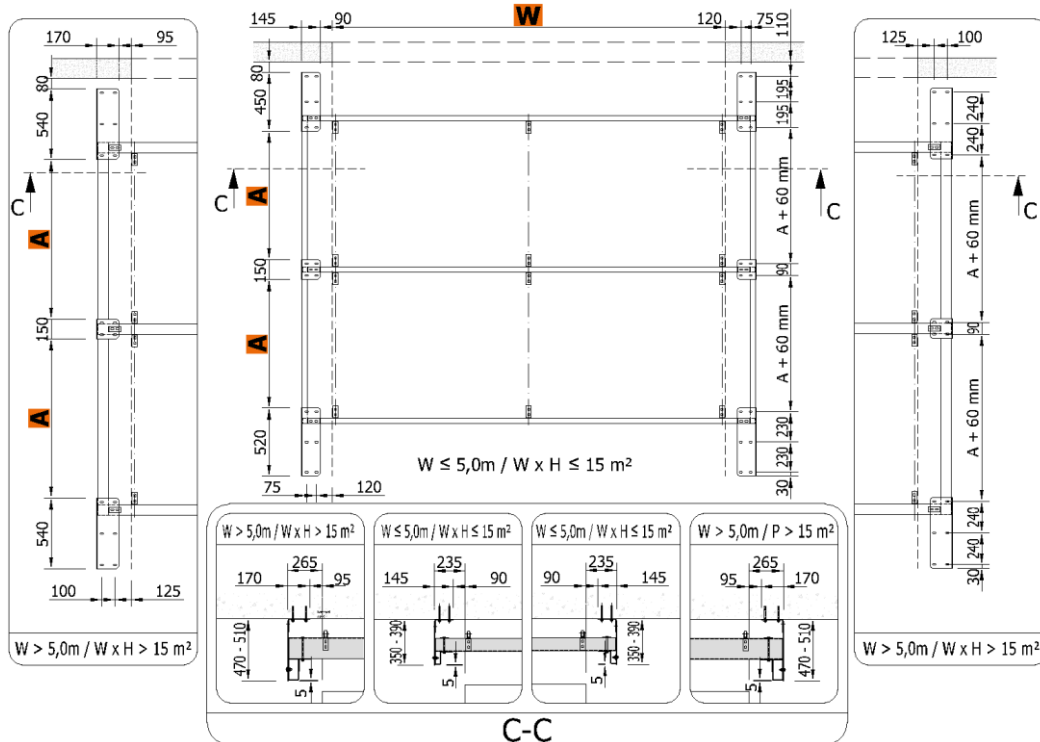
It applies to width W max. 5000 mm, or to area of opening W x H max. 15 m<sup>2</sup>  
If bigger dimensions are required, it is necessary to consult them with producer.

<b>W</b>	opening width	= [mm]
<b>H</b>	opening height [mm]	= max. 3900 mm
<b>N</b>	minimum height of lintel	= (W ≤ 5000 mm) = 500 mm; (W > 5000) = 550 mm
<b>L</b>	maximum overall length of gate	= (W ≤ 5000 mm) = H + 880 mm; (W > 5000) = H + 970 mm
<b>D1</b>	space for motor - variant on shaft of roller	= according to the used motor (150 mm - 230 mm)
<b>D2</b>	space for motor – variant with chain	= according to the used motor (min. 340 mm)
<b>E1</b>	distance of motor from edge of opening - variant on shaft of roller	= approx. 395 mm
<b>E2</b>	distance of shaft from edge of opening - variant with chain	= 300 - 325 mm
<b>Z</b>	overall height of gate	= H + N
<b>M</b>	position of structure above lintel	= (W ≤ 5000 mm) = 150 mm; (W > 5000) = 80 mm
<b>S</b>	distance of bracket from opening	= (W ≤ 5000 mm) = 245 mm; (W > 5000) = 275 mm
<b>A</b>	distance between brackets	= max. 1250 mm

Average weight of slats m = 41 kg/m<sup>2</sup>



## Scheme of structure fixing into ceiling



Construction readiness of the opening is secured by the customer according to the requirements of the contractor and depending on the type of jamb and lintel of the opening.

Anchor brackets can be fixed with anchor bolts (concrete, solid brick), or to anchor targets with bolts through wall (foam silicate, gas silicate or breeze (hollow) blocks), or to prepared steel structure with appropriate fire resistance (plasterboard wall, sandwich panels etc.). It is necessary to respect the flatness of the wall and the floor with a tolerance of max.

3 mm/m.

Technical changes reserved.